

The emlite EMP1 Three phase metering range offers high quality accurate meters that are suitable for direct connected domestic, commercial, Solar PV and light industrial applications.

Features -

- Fully MID approved
- 4 quadrant power measurement (Import and Export, Active and Reactive Energy)
- Optional Power Quality Information - Volts, Current, Power etc.
- Optional pulsed outputs
- Optical communications port
- Solid brass terminals

The EMP1.az and EMP1.av are the entry models of the emlite three phase metering range. They are suitable for a host of different applications where basic consumption or generation metering is required. The EMP1.az and EMP1.av variants covered in this information sheet are of solid high quality construction and benefit from features normally found in more expensive metering.

- Accuracy Class A or B (MID) [active energy] and Cl 2 [reactive energy*]
- 4 quadrant energy measurement
- Optional power quality information*
- Configurable pulsed outputs**
- Multiple terminal cover options (Short, Extended(Standard), Extended plus)
- Clear easy to read 8 digit LCD with specific symbols for different quantities.
- Solid Brass terminals
- Optional finger guard for main terminals

NB: * denotes standard setting,
** pulse set for kWh import as standard



Owen Brothers
Metering UK LTD

www.owen-brothers.com

Three Phase Whole Current Meter

EMP1.AV only

Pulsed Output

An opto-isolated pulse output can provide data for collection by an energy management system or AMR data logger. These pulses are output via the meter's auxiliary terminals.

The output conforms to IEC 62053-31.



Technical Data - Meter

Electrical

Voltage	Nominal voltage	3 x 230v
	Voltage withstand	400V continuously
Frequency	Nominal frequency	50Hz, variation $\pm 5\%$
Current	Basic current (Iref)	5, 10, 15 and 20*
	Maximum (Imax)	100A

Metrology

Accuracy	Active energy	Class B, to EN 50470 1-3*
	Reactive energy	Class 2, to IEC 62053-23

Environmental

Temperature Range -25°C to +55°C

Ingress protection IP54, to BS EN 60529

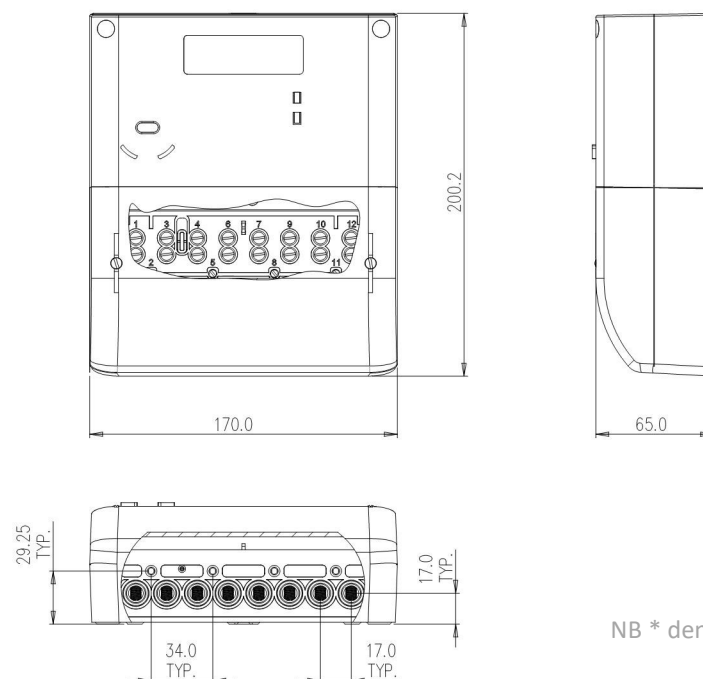
Physical

Terminal arrangement DIN43857-Part 2, fixing centres of 150 \pm 1mm

Main Terminal size 8.2mm \varnothing \pm 0.2

Terminal Construction Solid brass

Dimensions



NB * denotes standard setting