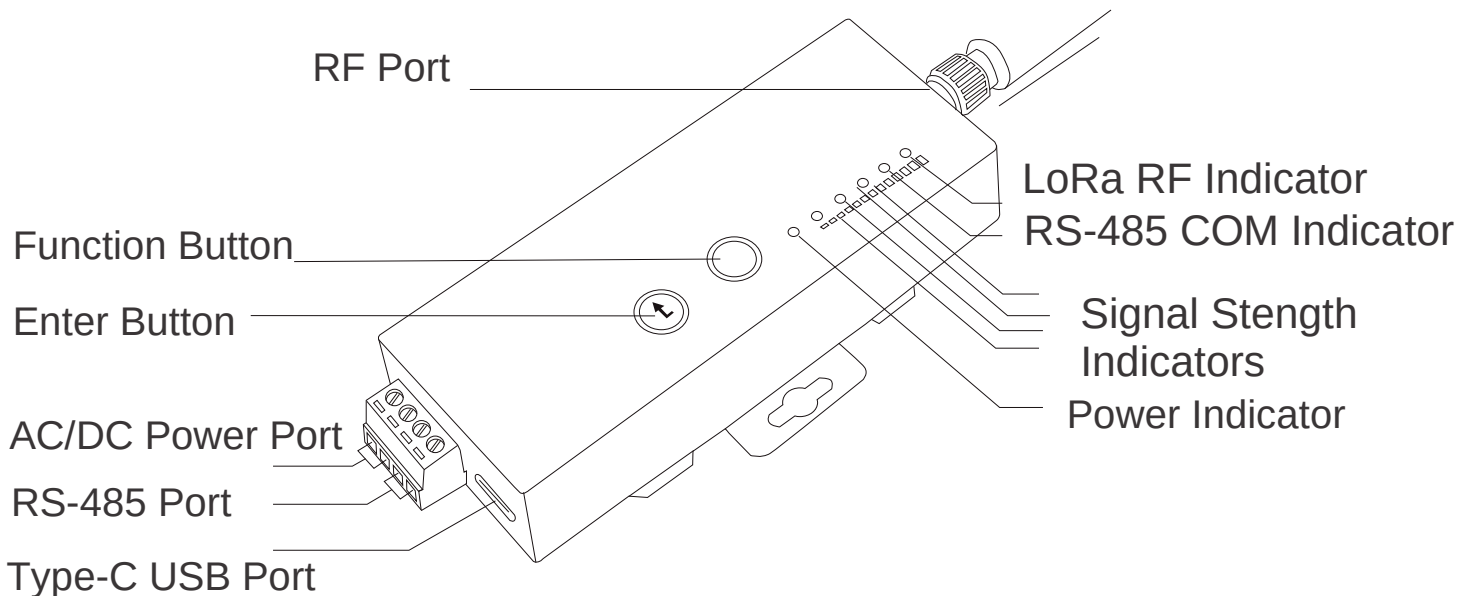


**LoRa Industrial
 RS485 Serial Converter**



Baud Rates: 1200 - 115200



To enter MENU long press FUNCTION button.
 The Power Light Will Flash.
 The Lights will indicate the menu option 1 -5.
 Short press FUNCTION to Scroll Menu.
 Press ENTER to select MENU.
 Press ENTER to Scroll Values.
 Press FUNCTION to Confirm.
 Display returns to normal Power Light not flashing.

Menu Items:

1. Communication Protocol
2. Baud Rate
3. Channel
4. Spread Factor
5. Relay

