

OBM-LORA-EXT

**LORA Extension Antenna
(Magnetic 5m lead)**



**VIEW & BUY
ONLINE**



A. ELECTRICAL CHARACTERISTICS

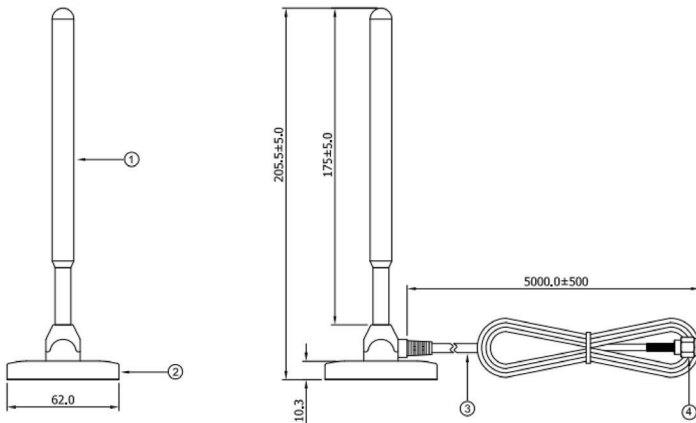
Frequency:	413-453MHz
S.W.R.:	≤2.0
Peak Gain (dBi):	-1.22±0.7dBi@433MHz
Antenna Efficiency (%):	34.08%
Polarization:	Linear
Impedance:	50 Ohm

B. MATERIAL & MECHANICAL CHARACTERISTICS

Material of Radiator:	Brass
Connector Type:	SMA Male
Connector Pull Test:	> 6Kg

B. ENVIRONMENTAL

Operation Temperature:	-40°C ~ + 65°C
Storage Temperature:	-40°C ~ + 80°C



No.	Name	Material	Finished	Qty
1	Antenna Pin	Brass	Black	1
2	Magnetic Base	Iron	Black	1
3	Cable	RG58	L=5000	1
4	SMA Male	Brass	Au Plated	1